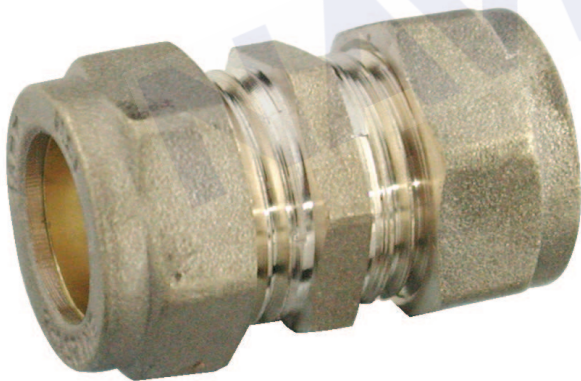
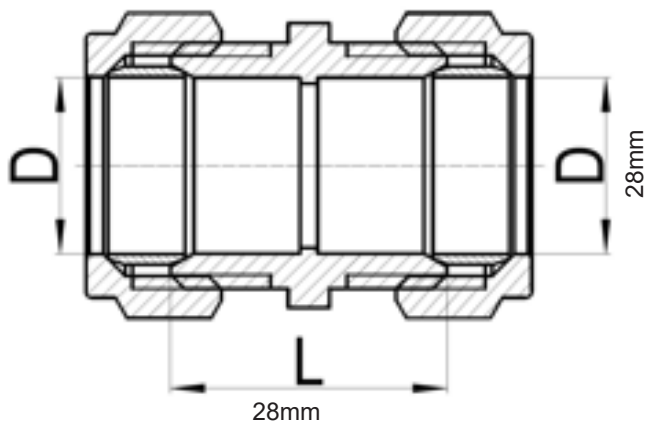


# NAVIGATOR<sup>®</sup>

## PRODUCT DATA SHEET

Issue Number: **02**  
Date: 20/05/2019



**Product Code:** COC-28

**Product Description:** Compression 28mm  
Straight Coupling

**Product Type:** Compression

**Suitable For:** Hot/Cold Water

**Bag Qty:** 5

**Box Qty:** 90

**Item Weight:** 0.149Kg

**Material:** 1. Brass

**Operating Temperature:** < 90°C

**Max Operating Pressure:** 16 Bar

**Approvals:** WRAS Approved

This Technical Data Sheet is for Guidance only. As part of our commitment to continual improvement to our products, we reserve the right to amend this data sheet without prior notice. Please Note: weights are approximate and may vary.

# NAVIGATOR

Tel: +44 (0)1234 781234  
Fax: +44 (0)1234 781808  
Email: sales@navigatormsl.com  
www.navigatormsl.co.uk

Navigator MSL Ltd,  
Mill Road, Sharnbrook,  
Bedford, Bedfordshire,  
England, MK44 1NP.