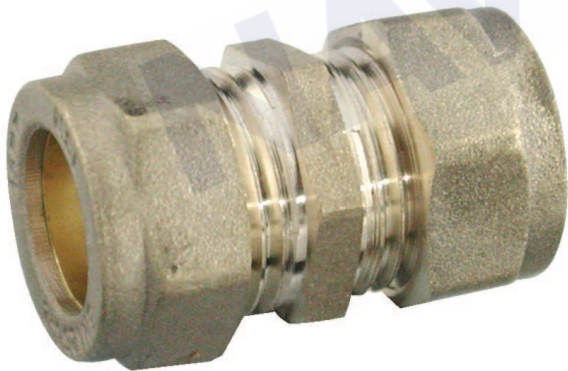
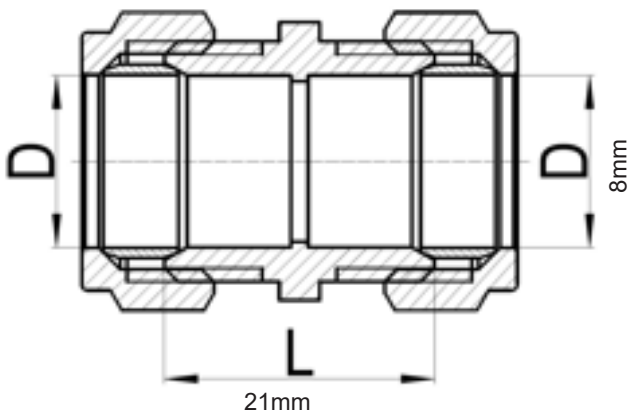


NAVIGATOR[®]

PRODUCT DATA SHEET

Issue Number: **02**
Date: 20/05/2019



Product Code: COC-08

Product Description: Compression 8mm
Straight Coupling

Product Type: Compression Fitting

Suitable For: Hot / Cold Water

Bag Qty: 10

Box Qty: 600

Item Weight: 0.028Kg

Material: 1. Brass

Operating Temperature: < 90°C

Max Operating Pressure: 16 Bar

Approvals: WRAS Approved

This Technical Data Sheet is for Guidance only. As part of our commitment to continual improvement to our products, we reserve the right to amend this data sheet without prior notice. Please Note: weights are approximate and may vary.

NAVIGATOR

Tel: +44 (0)1234 781234
Fax: +44 (0)1234 781808
Email: sales@navigatormsl.com
www.navigatormsl.co.uk

Navigator MSL Ltd,
Mill Road, Sharnbrook,
Bedford, Bedfordshire,
England, MK44 1NP.