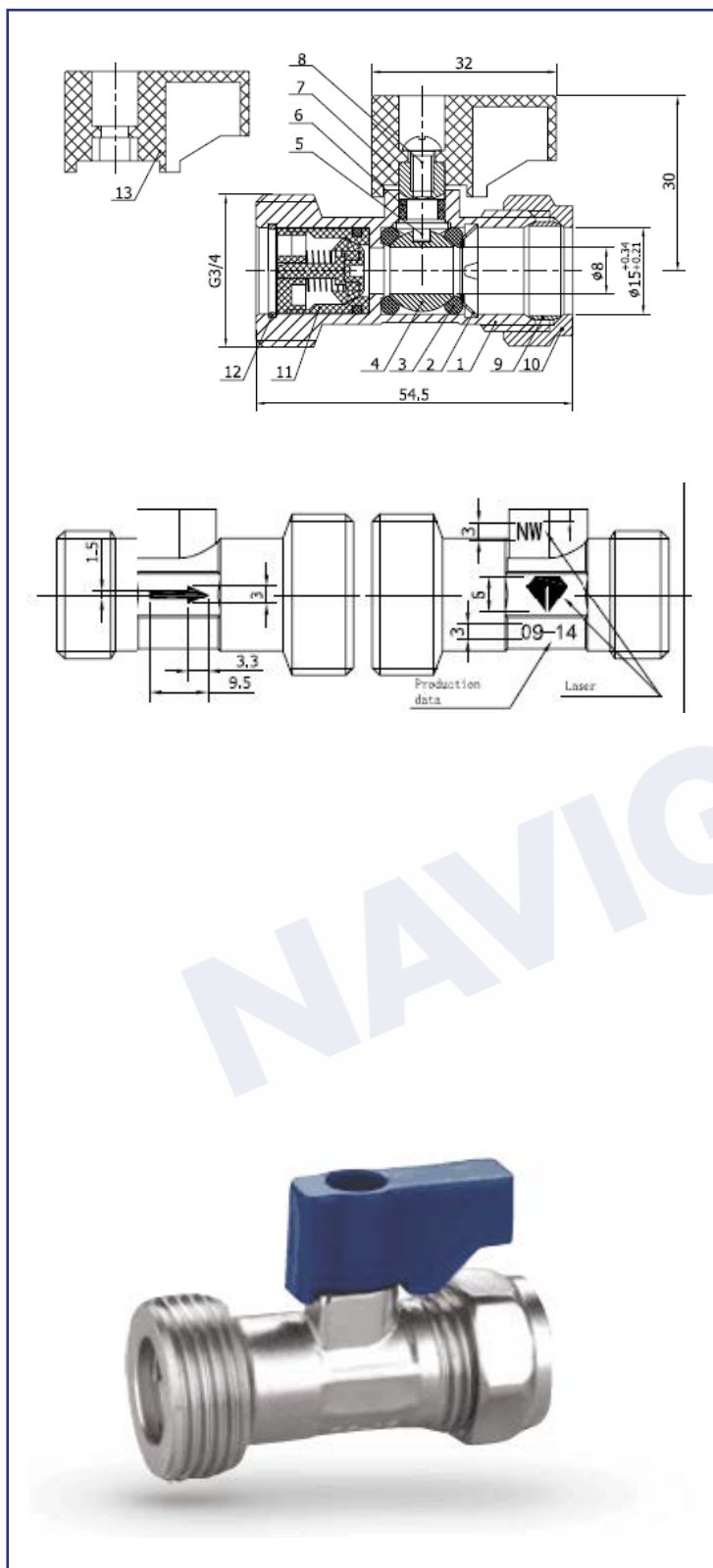


NAVIGATOR®

PRODUCT DATA SHEET

Issue Number: **01**

Date: 04/12/2019



Product Code: BFWMVC-15E

Product Description: 15mm x 3/4" Straight
Washing Machine Tap
Check Valve

Product Type: Brassfoundry

Suitable For: Domestic Washing Machine
Appliance

Bag Qty: 1

Box Qty: 100

Item Weight: 0.108Kg

Material:

1. Body: HPb59-3
2. Circlip: 304
3. O-Ring: EPDM x 2
4. Ball: HPb56-4
5. Stem: HPb58-2
6. O-Ring: EPDM x 2
7. Handle: ABS
8. Cross Screw Nut: Q235
9. Olive: T2
10. Hexagon Nut: HPb59-3
11. Cartridge: ABS/EDPM
12. Circlip: 304
13. Handle: ABS

Operating Temperature: 0°C - 85°C

Max Operating Pressure: 16 Bar

Approvals: WRAS Approved

This Technical Data Sheet is for Guidance only. As part of our commitment to continual improvement to our products, we reserve the right to amend this data sheet without prior notice. Please Note: weights are approximate and may vary.