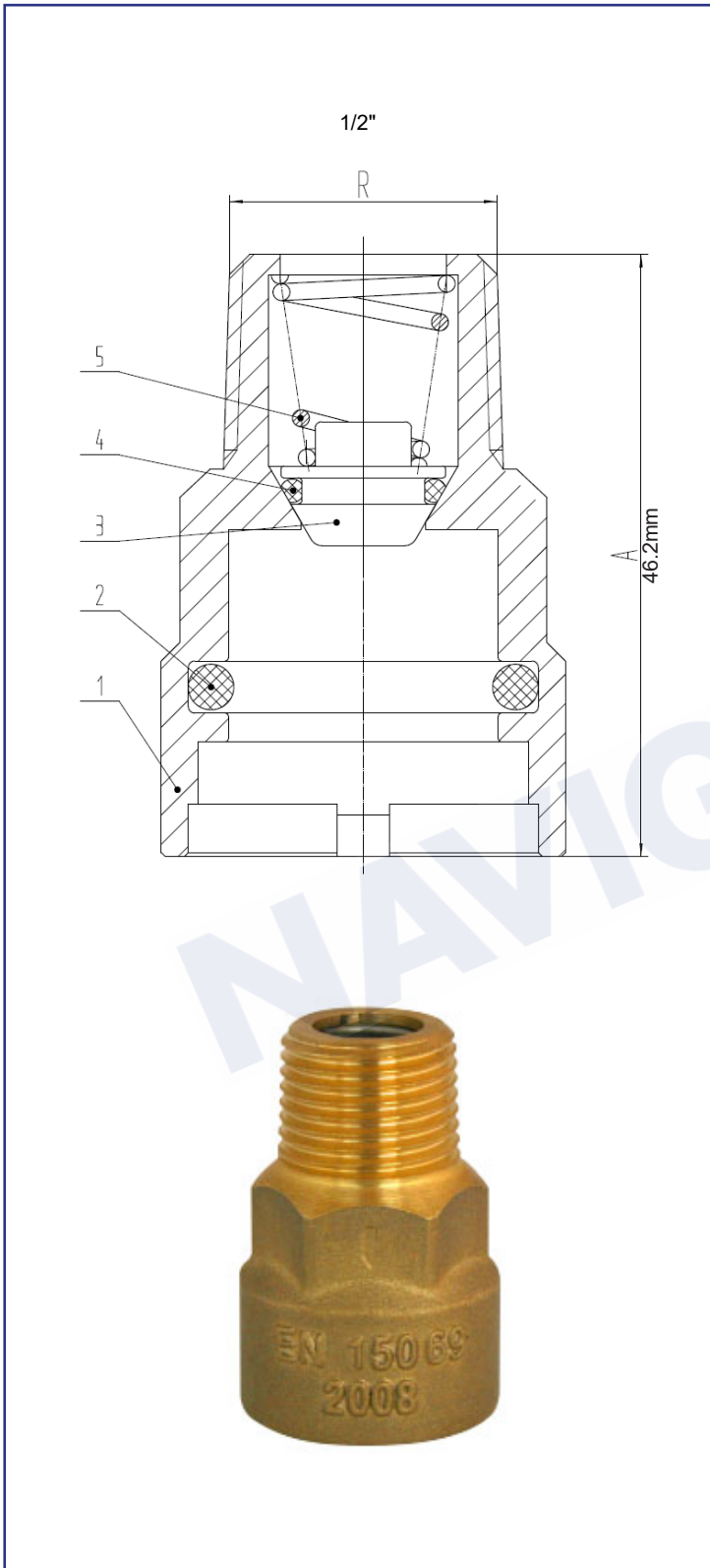


NAVIGATOR[®]

PRODUCT DATA SHEET

Issue Number: **02**
Date: 13/05/2019



Product Code: BFGHBSSHT-D

Product Description: 1/2" Straight Bayonet Socket
High Temperature

Product Type: Brassfoundry

Suitable For: Gas

Bag Qty: 10

Box Qty: 200

Item Weight: 0.092Kg

Material:

1. BODY: Brass
2. O-RING: NBR
3. CORE: Brass
4. O-RING: NBR
5. SPRING: SUS 304

Operating Temperature: -20°C to 60°C

Max Operating Pressure: 0.5 Bar

Approvals: General Tolerance ISO 2768-m

This Technical Data Sheet is for Guidance only. As part of our commitment to continual improvement to our products, we reserve the right to amend this data sheet without prior notice. Please Note: weights are approximate and may vary.

NAVIGATOR

Tel: +44 (0)1234 781234
Fax: +44 (0)1234 781808
Email: sales@navigatormsl.com
www.navigatormsl.co.uk

Navigator MSL Ltd,
Mill Road, Sharnbrook,
Bedford, Bedfordshire,
England, MK44 1NP.