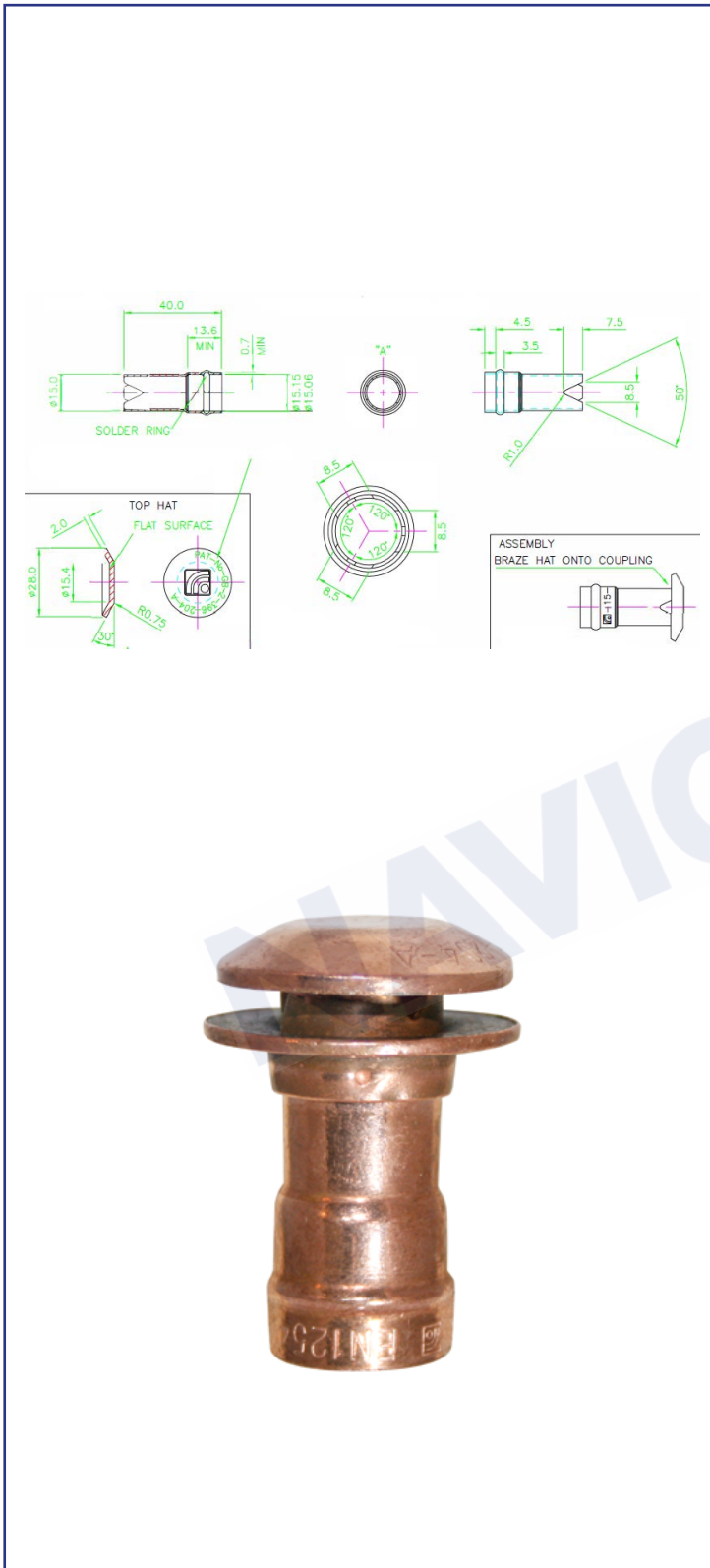


NAVIGATOR[®]

PRODUCT DATA SHEET

Issue Number: **02**
Date: 13/05/2019



Product Code: BFBOC-15

Product Description: 15mm Blow Off Cowl

Product Type: Brassfoundry

Suitable For: Boilers

Bag Qty: 10

Box Qty: 300

Item Weight: 0.031Kg

Material: 1. Copper HH

Operating Temperature:

Max Operating Pressure:

Approvals: EN1254-1 / ISO 9001

This Technical Data Sheet is for Guidance only. As part of our commitment to continual improvement to our products, we reserve the right to amend this data sheet without prior notice. Please Note: weights are approximate and may vary.

NAVIGATOR

Tel: +44 (0)1234 781234
Fax: +44 (0)1234 781808
Email: sales@navigatormsl.com
www.navigatormsl.co.uk

Navigator MSL Ltd,
Mill Road, Sharnbrook,
Bedford, Bedfordshire,
England, MK44 1NP.